

Design **- a class** **of its own**

SATA® Design Guns -
versatile in use,
obtain first class results

Professional design and airbrush guns
from SATA for fine artwork in design,
hobbies or craft.



SATA® – and ideas come to life



Creative painting requires a range of high quality, functional equipment and useful accessories.

The comprehensive SATA design spray gun range – Made in Germany – offers the freedom that airbrush artists need to work creatively.

All requirements to create outstanding artwork or to paint almost any type of object are successfully met by SATA design paint spray guns: Finest points and lines as well as larger spot painting can be realized.

When developing the SATA airbrush and design spray guns, special focus was laid on practice suitability and manageability for fatigue-free painting.

SATAgraph 1



1+2=3
Years Warranty

German made SATAgraph airbrush guns are especially suitable for making fine, detailed points and lines. Different models are available according to your application requirements. Air consumption is only 10 NI/min. (0.35 cfm) at 1 bar (14.5 psi). The SATAgraph airbrush spray guns come with an attractive aluminium case.

- Starter model as gravity flow cup version
- Double action system: completely separate air and material control by the trigger
- Easy handling
- Detachable, screwed cup to apply very small quantities

Product delivery:

- Airbrush SATAgraph 1, nozzle size 0.25
- 2.5 ml gravity cup
- Optional accessories see page 5

SATAgraph 2



1+2=3
Years Warranty



Accessories in scope of delivery

SATAgraph 2 is a semi double action system that provides excellent fan control. It has fine atomization and great handling flexibility for any type of application.

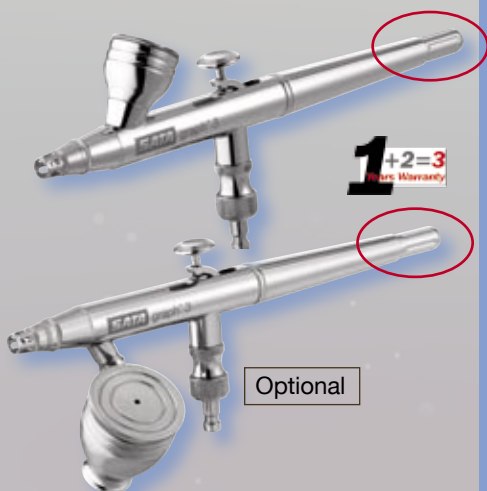
- Universal version: Simply turning the gun body 180° and replacing the cup quickly converts the airbrush from gravity to siphon
- Due to the universal smallest nozzle set 0.25, it is suitable for many applications of the airbrush painting
- Easy disassembly of the spray gun for cleaning and maintenance

Product delivery:

- Airbrush SATAgraph 2, nozzle size 0.25
- 4 ml gravity cup
- 15 ml glass plug-in cup
- Optional design kit includes 3 meter air hose with mini quick coupling and nipple



SATAglyph 3



The premium SATAglyph 3 airbrush affords the finest atomization. It also gives precise fan adjustment with adjustable material flow control at the end of the handle.

- Double action system and bi-component air cap for extremely fine lines and points
- Available in 2.5 ml gravity or 5 ml siphon cup version
- Variety of nozzle sizes for most any application (see page 6)
- Quality ergonomics for fatigue-free work
- Fluid control at the handle
- Maintenance and repair without tools



Product delivery:

- Airbrush SATAglyph 3, nozzle size 0.25
- Gravity cup 2.5 ml or 5 ml siphon cup
- Optional design kit includes 3 meter air hose with mini quick coupling and nipple

SATA dekor 2000 artbrush - Basic Version



The SATA dekor 2000 artbrush offers almost unlimited possibilities for all sorts of design tasks. Be it graphics, vehicle design, airbrush of all sorts, modelmaking, artistic painting or calligraphy - the results obtained with the SATA dekor 2000 artbrush are always worth looking at. Air consumption is 40 NI/min. (1.41 cfm) at 1 bar (14.5 psi).

- Variable due to 3 available configurations, 2 cup variations and 5 nozzle sizes ranging from 0.2 - 1.0 mm
- Large range of top class round spray nozzles for finest atomization
- Ergonomically perfect for both right and left handed people
- Choice of two air connections, for variable air hose guidance
- Infinitely adjustable material flow control
- Fully suitable for water borne materials
- Self-adjusting seals mean low service maintenance



Product delivery:

Gun complete with 0.5 mm nozzle set, 65 ml plastic gravity flow cup, gravity flow cup, strainer and tool kit. Take-off with top quality design guns.

SATA dekor 2000 artbrush - Universal Version



Accessories in scope of delivery

In addition to the basic version, it comes with an additional 25 ml glass plug-in cup and three glass cups with plain lids. All you need for quick color change.

SATA dekor 2000 artbrush - design set



Same as the "Universal" version with 0.5 mm nozzle set, but with additional accessories, complete in a handy plastic case:

- Spare 0.2 nozzle set
- Air micrometer with gauge
- 3 m air hose, Ø 4 mm with miniature quick coupling and nipple
- Glass cup 25 ml with plain lid
- Cleaning and packing kit
- Gun holder

SATAmijet® 4 HVLP – perfect design for professionals

SATAmijet 4 HVLP



The new SATAmijet 4 HVLP design has been perfectly tuned to match ideally with the hand ergonomics. The fan control may be adjusted from either side to allow one hand operation for right or left hand painters. The light weight of only 320 grams provides optimum spray gun control. A built in air micrometer adjusts air pressure and light trigger pull can be operated with one or two fingers. Air consumption is only 115 NI/min. (4.1 cfm) at 2 bar (29 psi).



SATAmijet 4 HVLP - design set



The SATAmijet 4 HVLP is designed to achieve perfect finish results in different fields of application. An extensive range of nozzle sets with nine different sizes ranging from 0.3 to 1.4 mm covers a wide application spectrum – from most filigree design paintings to Spot Repair (special SR nozzle sets), blends and small repair works.

All currently available paint systems in common viscosities – including water-borne material – can be applied.

Material passages are corrosion-proof.

- Outstanding atomization for superb finishes
- Flexible spray pressure and distance
- HVLP technology for low over-spray
- Transfer rate higher than 65 %
- Integrated air micrometer, material control and fan control adjustable from both sides
- Suitable for both right and left handed painters
- QCC – quick change cup system for optimized colour change and easy cleaning

The complete design set comes with all accessories required for optimum working conditions, ranging from a gravity flow cup and a plug-in cup system for quick colour changes to a 2 m air hose – all in one case, everything for creativity without limits:

- Spray gun SATAmijet 4 HVLP, nozzle size 1.0
- QCC gravity flow cup 125 ml
- 2 glass plug-in cups 25 ml and 3 glass cups with plain lids
- 2 m air hose with quick coupling and nipple
- Cleaning and packing kit
- Strainer
- Tool kit

1+2=3
Years Warranty

QCC
Quick
Change
CCS

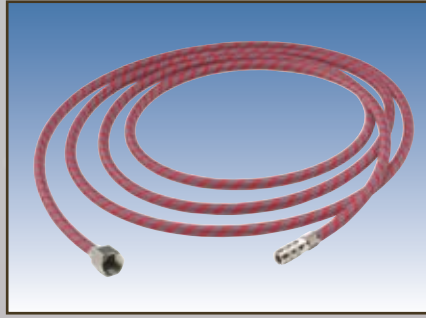
Servicing Parts and Accessories



SATA Air Hose

For SATAgraph and SATA dekor 2000, 4 mm diameter, 3 m long, complete with coupling and nipple.

Order No. 32987



SATA Braided Air Hose

for SATAgraph and SATA dekor 2000, 4 mm diameter, 2.5 m long, complete with coupling and nipple. For optimum handling, highly flexible with low resistance and wide working area.

Order No. 134791



SATA Plug-In Cup Set

For providing the required selection of colours and shades, and quick colour change. Fits onto SATA dekor 2000 and SATAminijet 4 HVLP with add-on kit.

Plug-in glass cups

Pack of 5 **Order No. 53033**

Glass cups with plain lids

Pack of 5 **Order No. 58164**

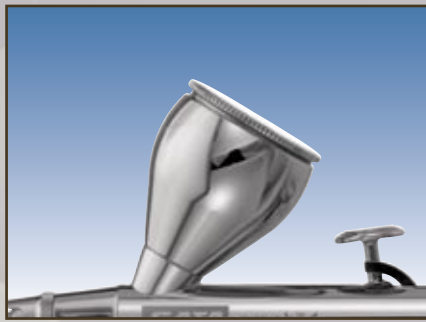


SATA Glass Suction Cup Set

5 glass cups 15 ml, 5 plain lids and 1 lid with siphon tube for providing the required selection of colours and shades, and quick colour change.

Fits SATAgraph 2.

Order No. 33092



5 ml Gravity Cup

To apply larger material volumes.

Fits SATAgraph 1 and 3.

Order No. 134775



5 ml Siphon Cup

Allows the application of smaller and larger material volumes.

Fits SATAgraph 3.

Order No. 134783



Gun Holder

Securely holds the SATA dekor 2000 and SATAminijet; prevents paint spills and eases refilling procedure. Suitable for gravity flow or plug-in cup.

Order No. 69328



Add-On Kit complete with Adapter

For connecting plug-in cups to SATA dekor 2000 artbrush and SATAminijet. Comes with stainless steel plug-in cup connection, 5 plug-in cups 25 ml with closed lid and 2 strainers.

Order No. 60350



SATA Cleaning Kit

The indispensable means for ensuring a perfect spray fan at any time.

Contents: 1 standard brush, 1 double-sided fine brush, 12 nozzle cleaning needles (stainless steel), triangular ground.

Order No. 64030

SATAgraph Order Numbers

Nozzle Size	SATAgraph 1 with 2.5 ml gravity cup	SATAgraph 2 4 ml gravity cup, 15 ml suction cup	SATAgraph 2 4 ml gravity cup, 15 ml suction cup, 3 m hose	SATAgraph 3 2.5 ml gravity cup	SATAgraph 3 2.5 ml gravity cup, 3 m hose	SATAgraph 3 5 ml suction cup	SATAgraph 3 5 ml suction cup, 3 m hose
0.25	134544	134536	5082	134569	134551	134585	134577

Order Numbers for Spray Guns and Design Kits

Nozzle Size	Types	SATA dekor 2000 artbrush			SATAMinijet 4 HVLP*	
		Basic Version	Universal Version	design set	with 125 ml gravity cup	design set
0.2		65078	86181	-	-	-
0.25		-	-	-	-	-
0.3		-	-	-	125633	-
0.35		65581	86199	-	-	-
0.5		65649	86207	90381	125641	-
0.8		66316	86215	-	125658	-
1.0		69229	86223	-	125666	125773
1.1		-	-	-	125674	-

*also available with SR nozzle sets (special nozzles for Spot Repair) in the sizes 0.8/1.0/1.2/1.4

Order Numbers for Nozzle Sets

Nozzle Size	0.15	0.2	0.25	0.3	0.35	0.45	0.5	0.65	0.8	1.0	1.1
SATAgraph 1	-	-	134619	-	-	134635	-	-	-	-	-
SATAgraph 2	-	123448	31476	-	-	-	-	-	-	-	-
SATAgraph 3	134643	-	134650	-	-	134668	-	134676	-	-	-
dekor 2000	-	60459	-	-	60640	-	61200	-	61341	61523	-
SATAMinijet 4 HVLP*	-	-	-	125583	-	-	125591	-	125609	125617	125625

*also available with SR nozzle sets (special nozzles for Spot Repair) in the sizes 0.8/1.0/1.2/1.4



Your SATA Distributor:

SATA GmbH & Co. KG
 Domertalstr. 20 • 70806 Kornwestheim • Germany
 Tel. +49 (71 54) 8 11-200 • Fax +49 (71 54) 8 11-194
 www.sata.com • E-mail: export@sata.com